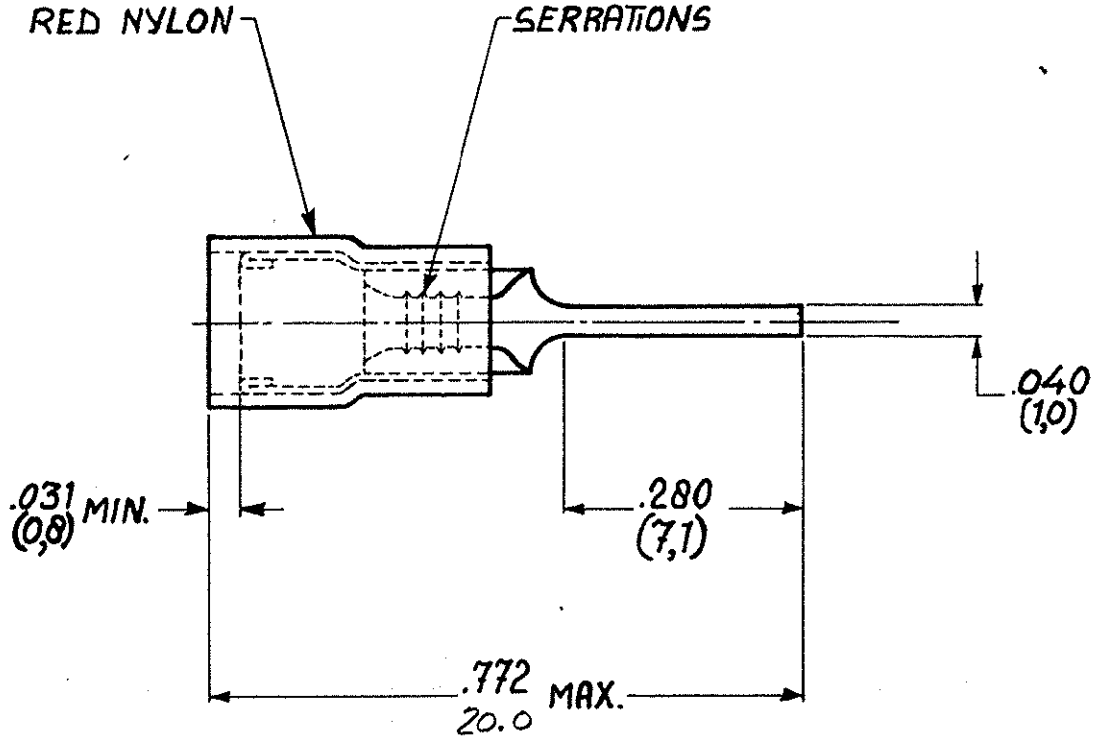


DRAWING MADE IN AMERICAN PROJECTION

NUMBER C-165446



1-TAB MATERIAL-THICKNESS .033(0.8) MAX

INCHES  
DIMENSIONS IN ( ) M.M. DO NOT SCALE PRINT

CUSTOMER COPY FOR REFERENCE ONLY

©1971 BY AMP-HOLLAND N.V. ALL RIGHTS RESERVED A-MP PRODUCTS COVERED BY PATENTS AND/OR PATENTS PENDING.



AMP-HOLLAND N.V.  
HERTOGENBOSCH  
HOLLAND

WIRE-RANGE 22-16 AWG 0.25-1.6 mm <sup>2</sup>	INSUL.-RANGE 105-140 (2.7-3.6) DIA.	FIRST USED TEL ±.008 (0.2)
---	---	-------------------------------

165446	COPPER	TIN
ORDER NO.	MATERIAL	PLATING
DR G. J. Dwyer 12-31	DATE	DE DATE
CHK	DATE	APP DATE

SCALE 4:1	LOC H	SIZE A	NO C-165446	REV A
--------------	----------	-----------	----------------	----------

NAME  
PIDG NYLON TAB